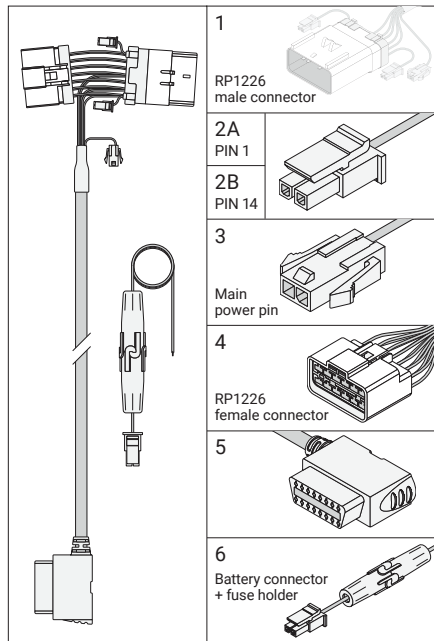


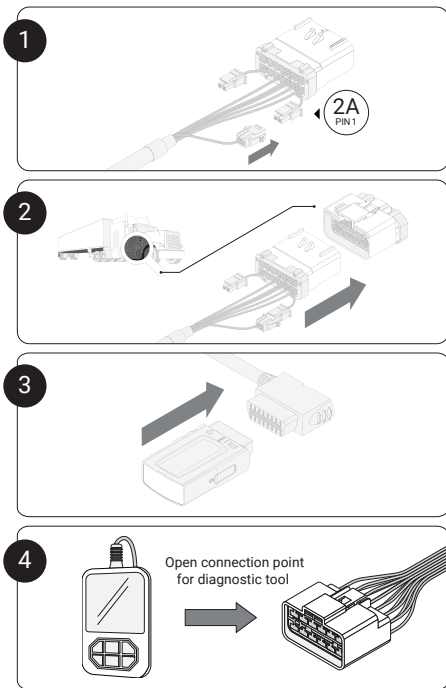
Rev A1- 03/2021 - PAC-INSCS14T2

HRN-CS14T2

For the most up to date version, please visit: gtb.page.link/dYVr



Power on Pin 1



Power on Pin 14

